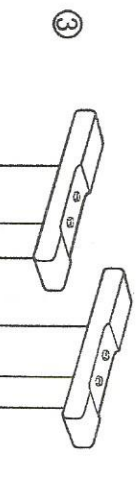
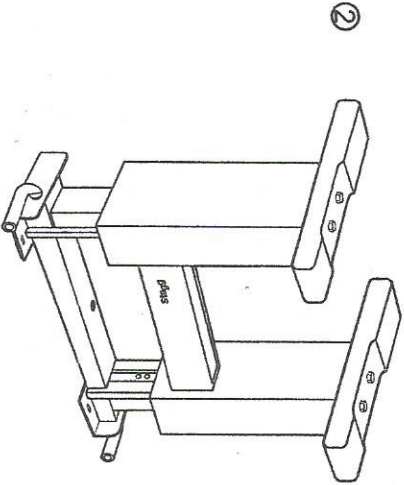
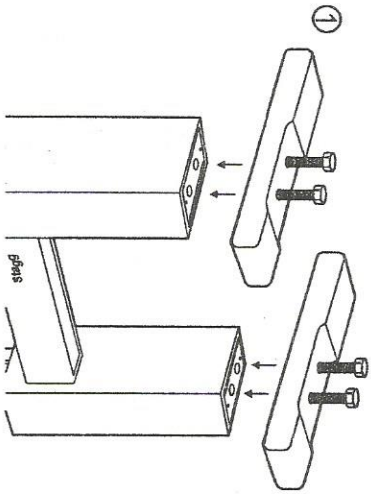


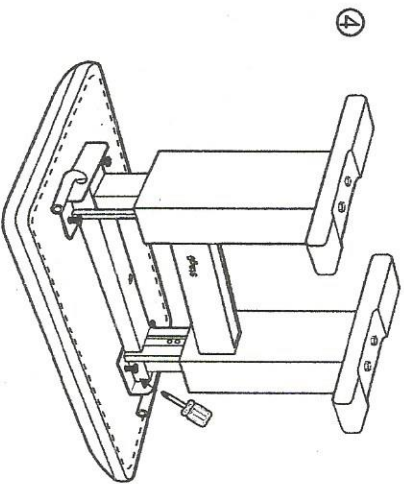
# J880 Piano Bench

## Assembly Instructions

Bolt both bench feet to the bottom of the bench legs and tighten the bolts securely.



Bolt bench frame to the bottom of the bench top as shown and tighten the bolts securely. Do NOT over tighten these bolts.



### Before first use:

- Cut the tie straps securing the base of the bench.
- Set the bench upright.
- Hold the base of the bench with your feet.
- Retract both adjusting levers and pull the bench all the way up.
- While still retracting both adjusting levers, push the bench top all the way down.
- Your bench is now ready to use.