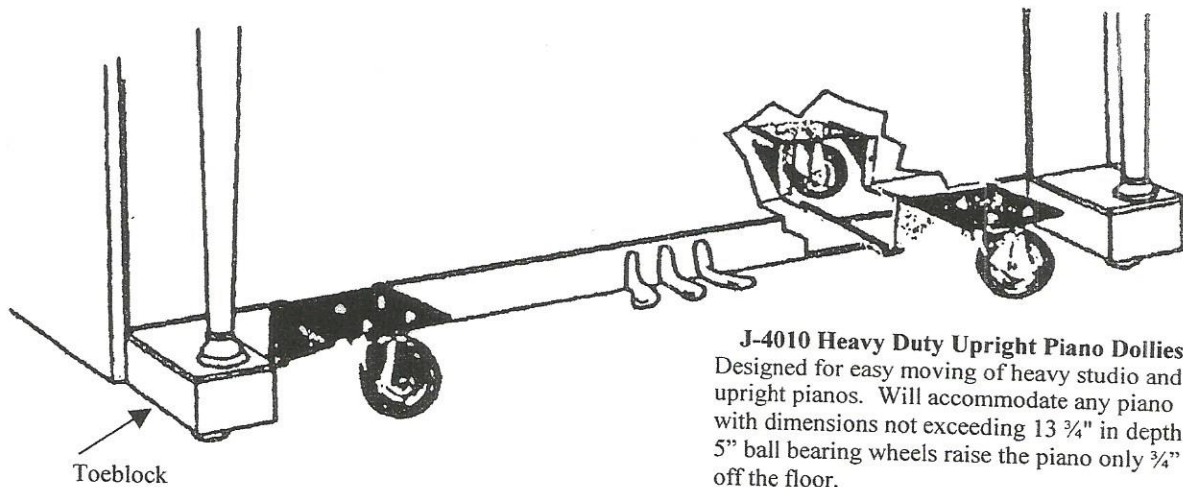
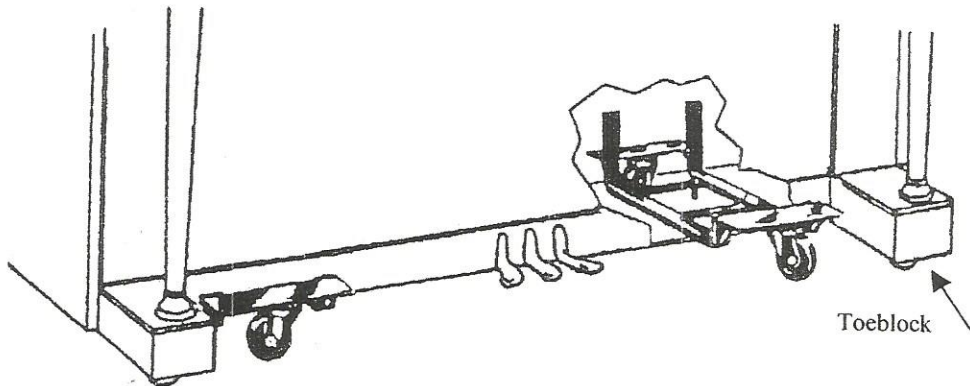


# PIANO DOLLIES – INSTALLATION INSTRUCTIONS

## J-4009 Upright Dollies

Excellent for use in school, show rooms, churches, etc., where upright pianos need to be moved about quickly and easily . . . Raises the piano only  $\frac{3}{4}$ " off the floor. Silent  $2\frac{1}{2}$ " rubber tired wheels protect the floor finish. Well-designed for perfect balance. Heavy-duty frame construction for years of service.



## J-4010 Heavy Duty Upright Piano Dollies

Designed for easy moving of heavy studio and upright pianos. Will accommodate any piano with dimensions not exceeding  $13\frac{3}{4}$ " in depth. 5" ball bearing wheels raise the piano only  $\frac{3}{4}$ " off the floor.

### Installation Instructions for the J-4009 and J-4010

1. Raise one end of piano and place dolly underneath keeping dolly as close as possible to inside of piano toeblock.
2. Repeat step 1 on opposite end of piano.
3. It is recommended that dollies be secured to rear of piano as well as underside of piano with lag bolts, wood screws or bolts through holes provided in dollies. (Screws / lag bolts not included)